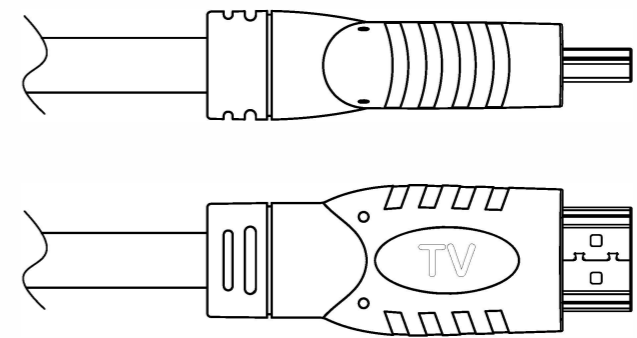
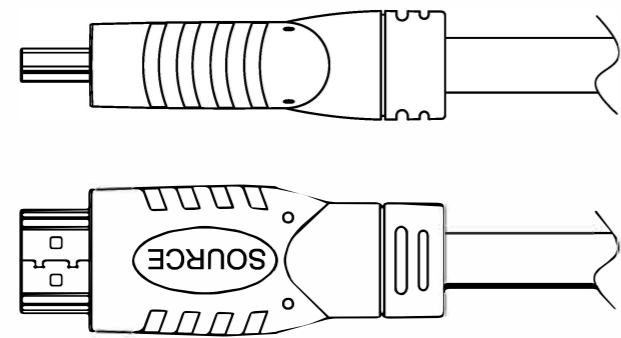
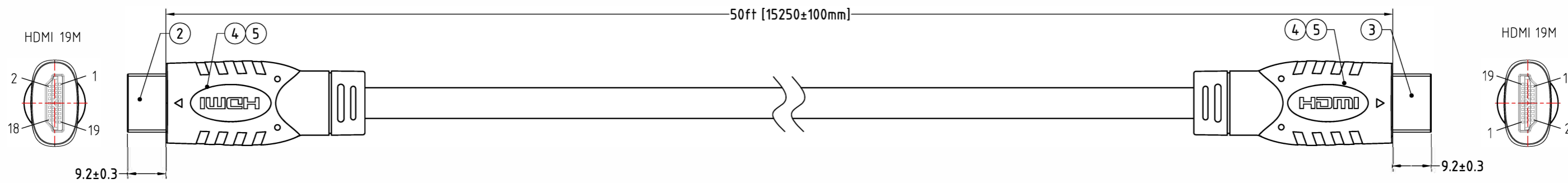


NOTE: ALL MATERIAL COMPLIANT ROHS STANDARD

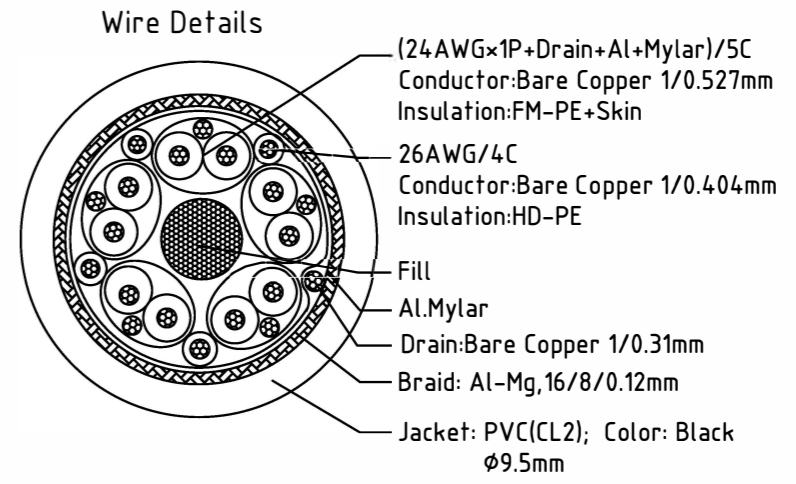
| REVISION INFORMATION |           |             |                   |
|----------------------|-----------|-------------|-------------------|
| Rev.                 | Rev. Date | Modified By | Brief Description |
|                      |           |             |                   |



Electrical character:  
 1) 100% **1080P**、**4K@60Hz**、**3D** testing

**PIN ASSIGNMENT(1.4v)**

| HDMI 19M | Color       | PCBA, S7/HT8181 | HDMI 19M            |
|----------|-------------|-----------------|---------------------|
| 3        | Red         |                 | 3 TMS data2-        |
| 1        | White       |                 | 1 TMS data2+        |
| 2        | Drain       |                 | 2 TMS data2 Shield  |
| 6        | Green       |                 | 6 TMS data1-        |
| 4        | White       |                 | 4 TMS data1+        |
| 5        | Drain       |                 | 5 TMS data1 Shield  |
| 9        | Blue        |                 | 9 TMS data0-        |
| 7        | White       |                 | 7 TMS data0+        |
| 8        | Drain       |                 | 8 TMS data0 Shield  |
| 12       | Brown       |                 | 12 TMS Clock-       |
| 10       | White       |                 | 10 TMS Clock+       |
| 11       | Drain       |                 | 11 TMS Clock Shield |
| 19       | Black       |                 | 19 HPD/ HEAC-       |
| 14       | White       |                 | 14 Utility/ HEAC+   |
| 17       | Drain       |                 | 17 DDC/CEC/HEAC GND |
| 13       | White       |                 | 13 CEC              |
| 15       | Yellow      |                 | 15 SCL              |
| 16       | Orange      |                 | 16 SDA              |
| 18       | Red         |                 | 18 +5V Power        |
| SHELL    | Braid+Drain |                 | SHELL               |



| NO. | PART NAME      | SPECIFICATION DESCRIPTION  | QTY | UNIT |
|-----|----------------|--|-----|------|
| ①   | Cable          | UL20276 (24#BC/1P+ADM)/5C+26#4C+F+A+D+B(16/8/0.12,Al-Mg)+PVC,Black,OD9.5mm |     |      |
| ②   | HDMI_Conn      | HDMI A/M,PIN G/F,Black Insulation,Steel-Shell(G/F Plated),Solder type      |     |      |
| ③   | HDMI Conn+PCBA | HDMI A/M(G/F Plated)+PCBA(S7/HT8181)                                       |     |      |
| ④   | Innermold      | PE,Low density   |     |      |
| ⑤   | Overmold       | PVC,45Pa,Black   |     |      |

Unless specified on the drawing,  
 tolerances are per the follows:

|     |       |
|-----|-------|
| ·   | +1    |
| .x  | +0.2  |
| .xx | +0.05 |

# LANshack

Sales@LANshack.com | 888-568-1230

|             |                     |  |
|-------------|---------------------|--|
| DRAWN BY    | DATE:<br>2019/06/05 | DESCRIPTION:<br>HDMI A/M TO HDMI A/M Cable |
| CHECKED BY  | SHEET 1of2          | ITEM NO. LS-HD-CL2-S7-X                    |
| APPROVED BY | SCALE None          | REV. 0.0 UNIT:mm                           |